

ELECTRO-OPTICAL PRODUCTS PROPRIETARY

THIS DOCUMENT CONTAINS PROPRIETARY INFORMATION AND EXCEPT WITH WRITTEN PERMISSION OF ELECTRO-OPTICAL PRODUCTS CORPORATION SUCH INFORMATION SHALL NOT BE PUBLISHED, OR DISCLOSED TO OTHERS, OR USED FOR ANY PURPOSE, AND THE DOCUMENT SHALL NOT BE DUPLICATED IN WHOLE OR IN PART.

REVISIONS

REV	DESCRIPTION	DATE	APPROVED

DEFLECTIVE MIRROR

BEAM OUT

SHUTTER CLOSED

BEAM IN

BEAM OUT

SHUTTER OPEN

BEAM IN

MOTOR

.613

MOTOR

1.60

2.0 MAX

.70

1/4-20 MTG HOLE

(1.21)

1.7

1.0

(1.77)

.300

.200

3X 6-32
MTG HOLE

.800

1.21

1.70

.185

1.400

1.77

UNLESS OTHERWISE SPECIFIED
DIMENSIONS ARE IN INCHES
& PER ANSI Y14.5M-1982

FRACTIONS ±
ANGLES ±1/2°
3 PLACE DECIMALS ±.005
2 PLACE DECIMALS ±.01
HOLES ±

PREPARED 5/18/2018

APPROVED

ELECTRO-OPTICAL PRODUCTS CORP.
FRESH MEADOWS, NEW YORK

TITLE
SH-66-NC SHUTTER/PULSE PICKER
OUTLINE DRAWING

SIZE A DWG NO. 18-101215 REV.

SCALE FULL

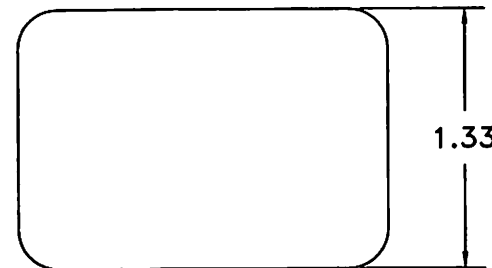
SHEET 1 OF 1

ELECTRO-OPTICAL PRODUCTS PROPRIETARY

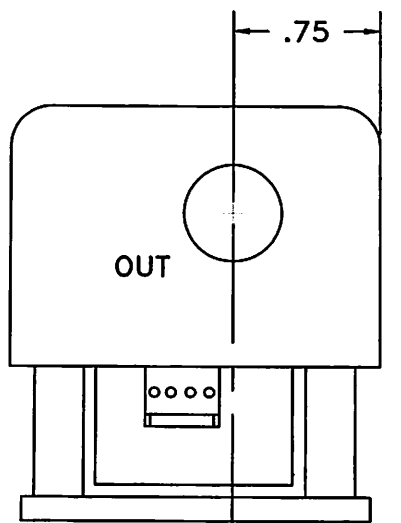
THIS DOCUMENT CONTAINS PROPRIETARY INFORMATION AND EXCEPT WITH WRITTEN PERMISSION OF ELECTRO-OPTICAL PRODUCTS CORPORATION SUCH INFORMATION SHALL NOT BE PUBLISHED, OR DISCLOSED TO OTHERS, OR USED FOR ANY PURPOSE, AND THE DOCUMENT SHALL NOT BE DUPLICATED IN WHOLE OR IN PART.

REVISIONS

REV	DESCRIPTION	DATE	APPROVED



1.33

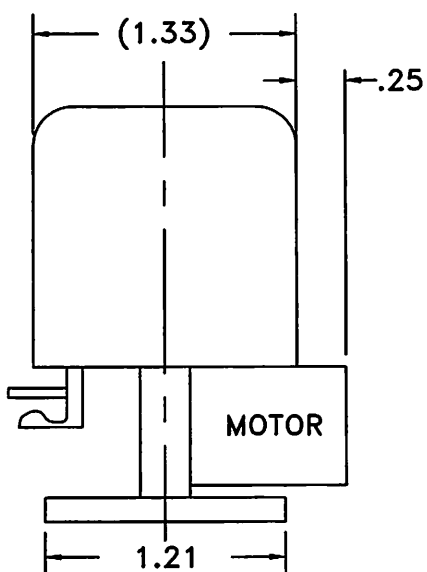


OUT

.75

.70

1/4-20 MTG HOLE

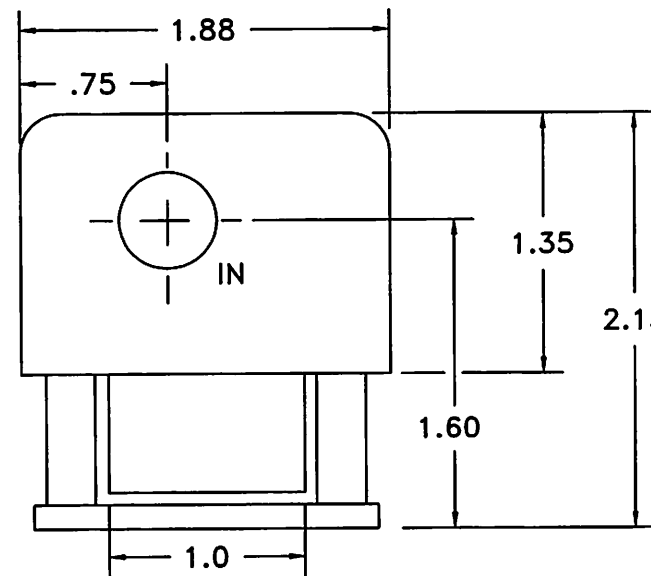


(1.33)

.25

MOTOR

1.21



1.88

.75

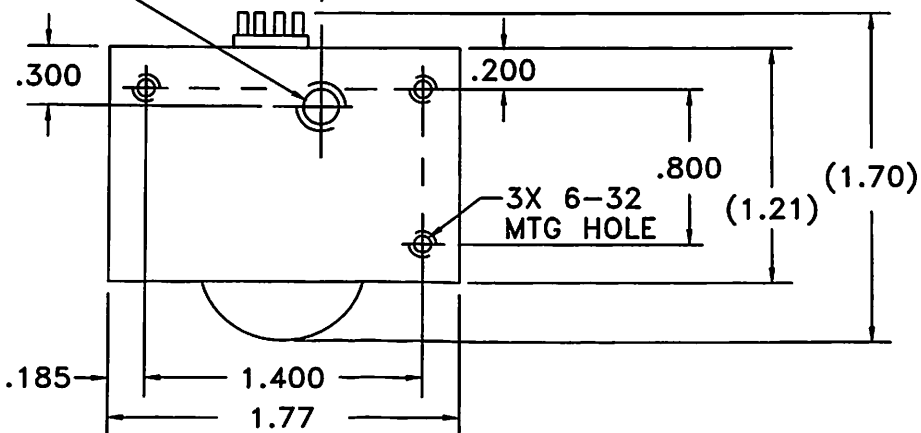
IN

1.35

2.15

1.60

1.0



.300

.200

.800

(1.21)

(1.70)

3X 6-32
MTG HOLE

.185

1.400

1.77

UNLESS OTHERWISE SPECIFIED
DIMENSIONS ARE IN INCHES
& PER ANSI Y14.5M-1982

FRACTIONS ±
ANGLES ±1/2°
3 PLACE DECIMALS ±.005
2 PLACE DECIMALS ±.01
HOLES ±

PREPARED 5/18/2018

APPROVED

ELECTRO-OPTICAL PRODUCTS CORP.
FRESH MEADOWS, NEW YORK

TITLE
SH-66-B SHUTTER/PULSE PICKER
OUTLINE DRAWING

SIZE DWG NO. REV.
A 18-101214

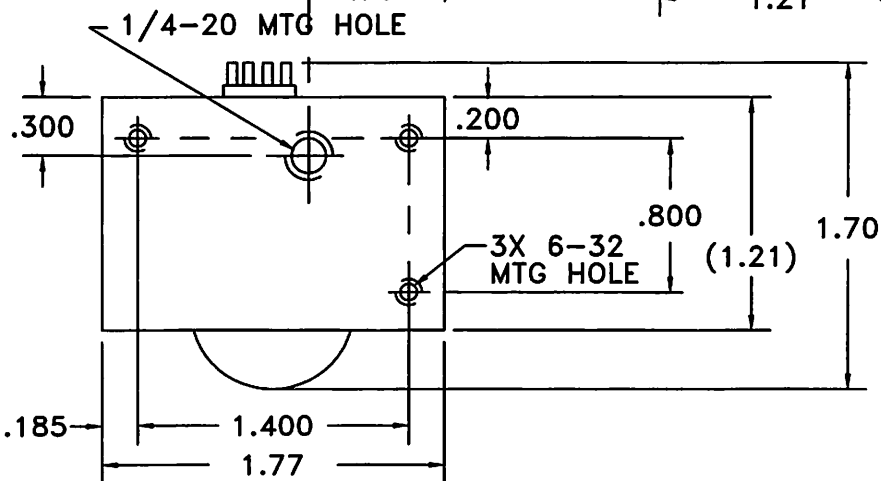
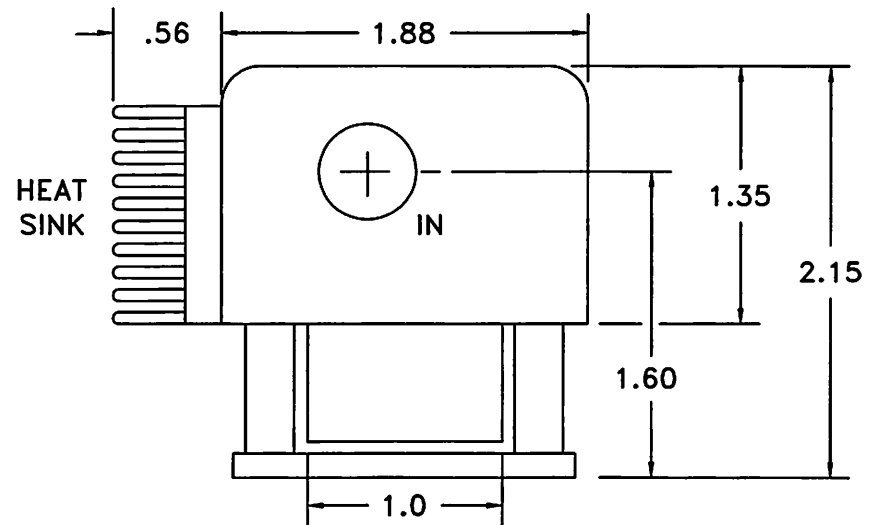
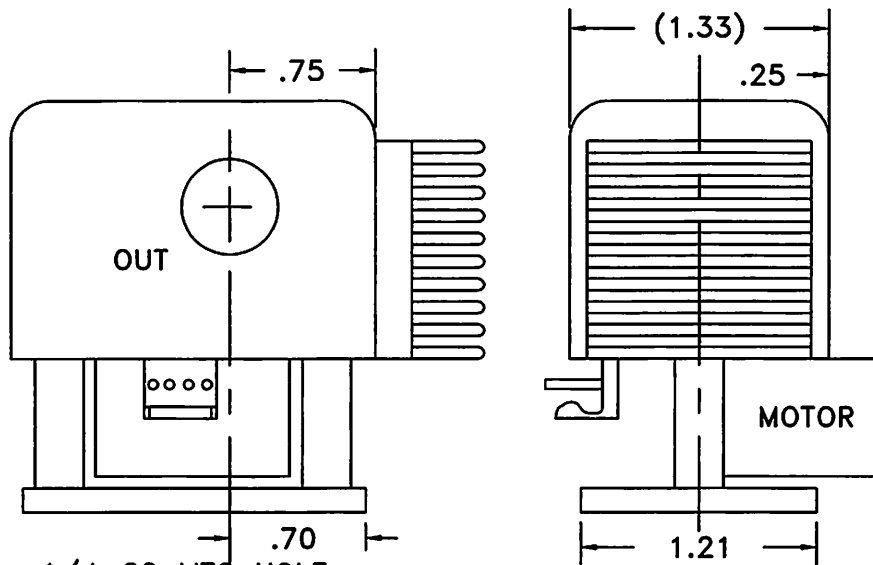
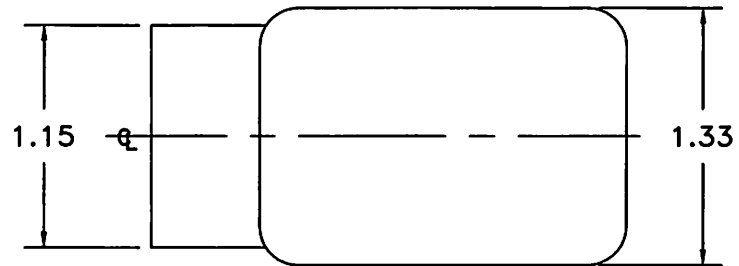
SCALE FULL SHEET 1 OF 1

ELECTRO-OPTICAL PRODUCTS PROPRIETARY

THIS DOCUMENT CONTAINS PROPRIETARY INFORMATION AND EXCEPT WITH WRITTEN PERMISSION OF ELECTRO-OPTICAL PRODUCTS CORPORATION SUCH INFORMATION SHALL NOT BE PUBLISHED, OR DISCLOSED TO OTHERS, OR USED FOR ANY PURPOSE, AND THE DOCUMENT SHALL NOT BE DUPLICATED IN WHOLE OR IN PART.

REVISIONS

REV	DESCRIPTION	DATE	APPROVED



UNLESS OTHERWISE SPECIFIED
DIMENSIONS ARE IN INCHES
& PER ANSI Y14.5M-1982

FRACTIONS ±
ANGLES ±1/2°
3 PLACE DECIMALS ±.005
2 PLACE DECIMALS ±.01
HOLES ±

ELECTRO-OPTICAL PRODUCTS CORP.
FRESH MEADOWS, NEW YORK

TITLE
SH-66-BH SHUTTER/PULSE PICKER
OUTLINE DRAWING

PREPARED 5/18/2018

SIZE DWG NO. REV.
A 18-101212

APPROVED

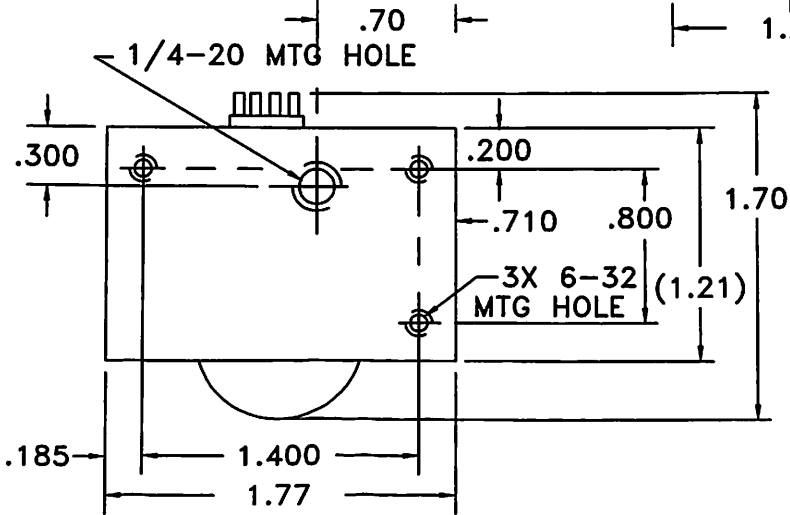
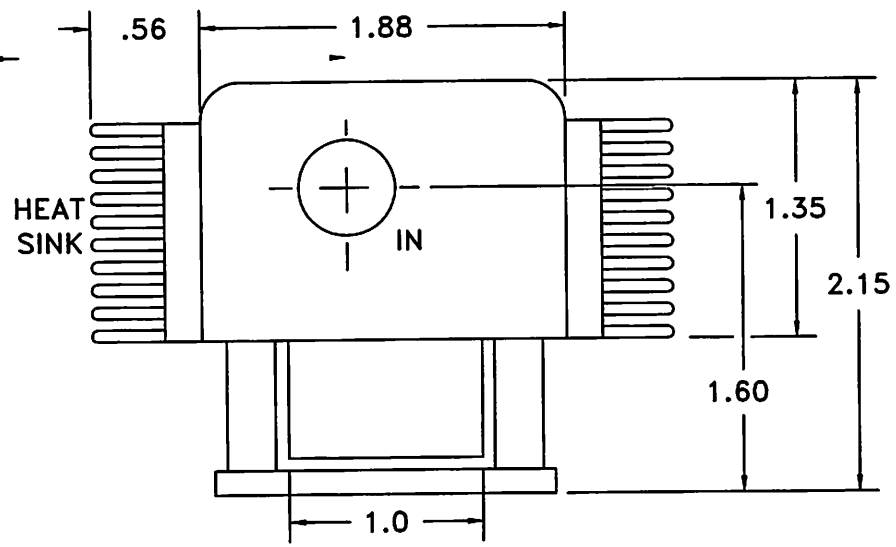
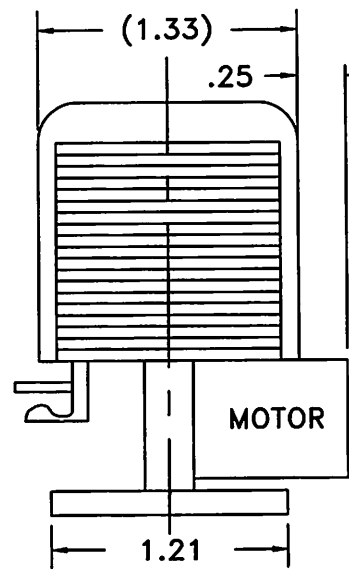
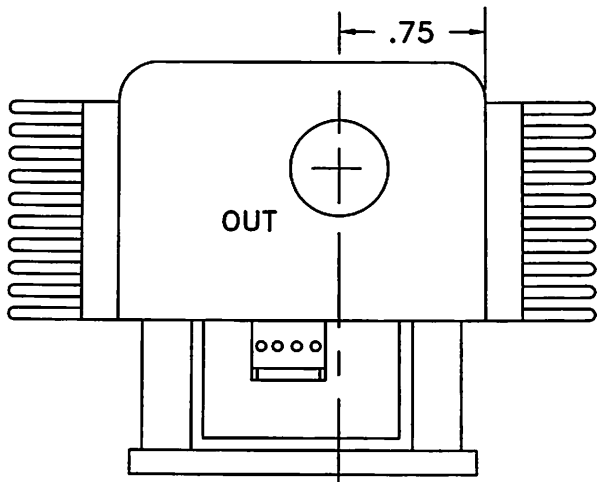
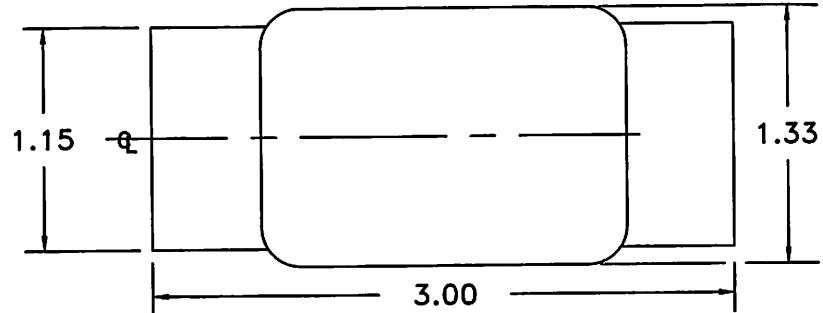
SCALE FULL

SHEET 1 OF 1

ELECTRO-OPTICAL PRODUCTS PROPRIETARY

THIS DOCUMENT CONTAINS PROPRIETARY INFORMATION AND EXCEPT WITH WRITTEN PERMISSION OF ELECTRO-OPTICAL PRODUCTS CORPORATION SUCH INFORMATION SHALL NOT BE PUBLISHED, OR DISCLOSED TO OTHERS, OR USED FOR ANY PURPOSE, AND THE DOCUMENT SHALL NOT BE DUPLICATED IN WHOLE OR IN PART.

REVISIONS			
REV	DESCRIPTION	DATE	APPROVED



UNLESS OTHERWISE SPECIFIED DIMENSIONS ARE IN INCHES & PER ANSI Y14.5M-1982 FRACTIONS ± ANGLES ±1/2° 3 PLACE DECIMALS ±.005 2 PLACE DECIMALS ±.01 HOLES ±	ELECTRO-OPTICAL PRODUCTS CORP. FRESH MEADOWS, NEW YORK		
	TITLE SH-66-BDH SHUTTER/PULSE PICKER OUTLINE DRAWING		
PREPARED 5/18/2018	SIZE A	DWG NO. 18-101213	REV.
APPROVED	SCALE FULL	SHEET 1 OF 1	